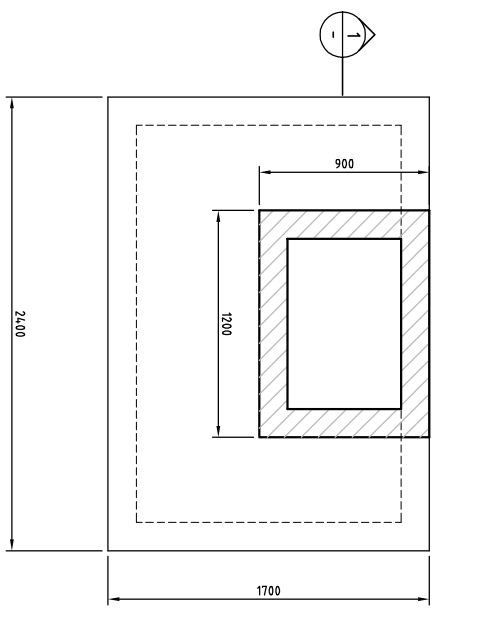
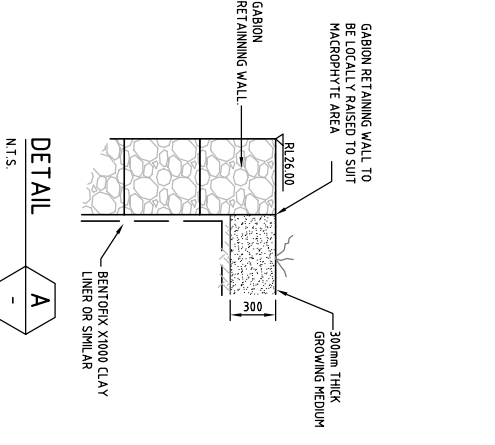
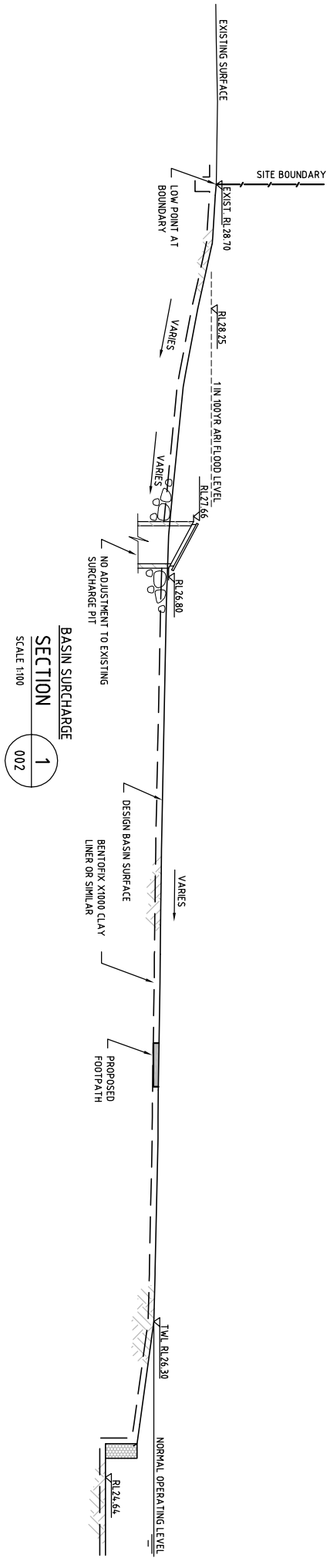


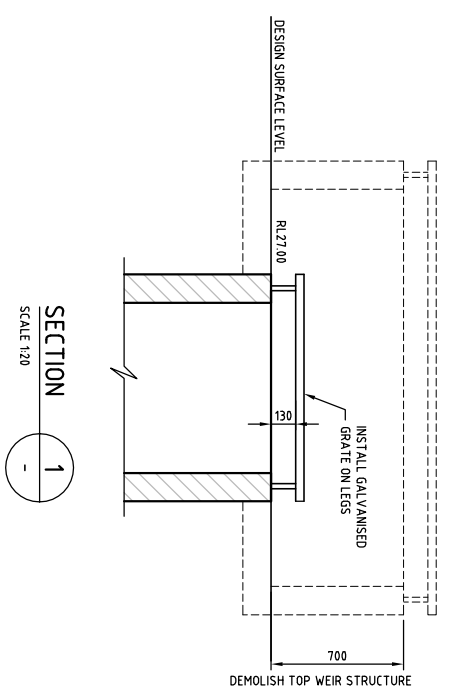
TYPICAL BASIN PROFILE SECTION  
 SCALE 1:20



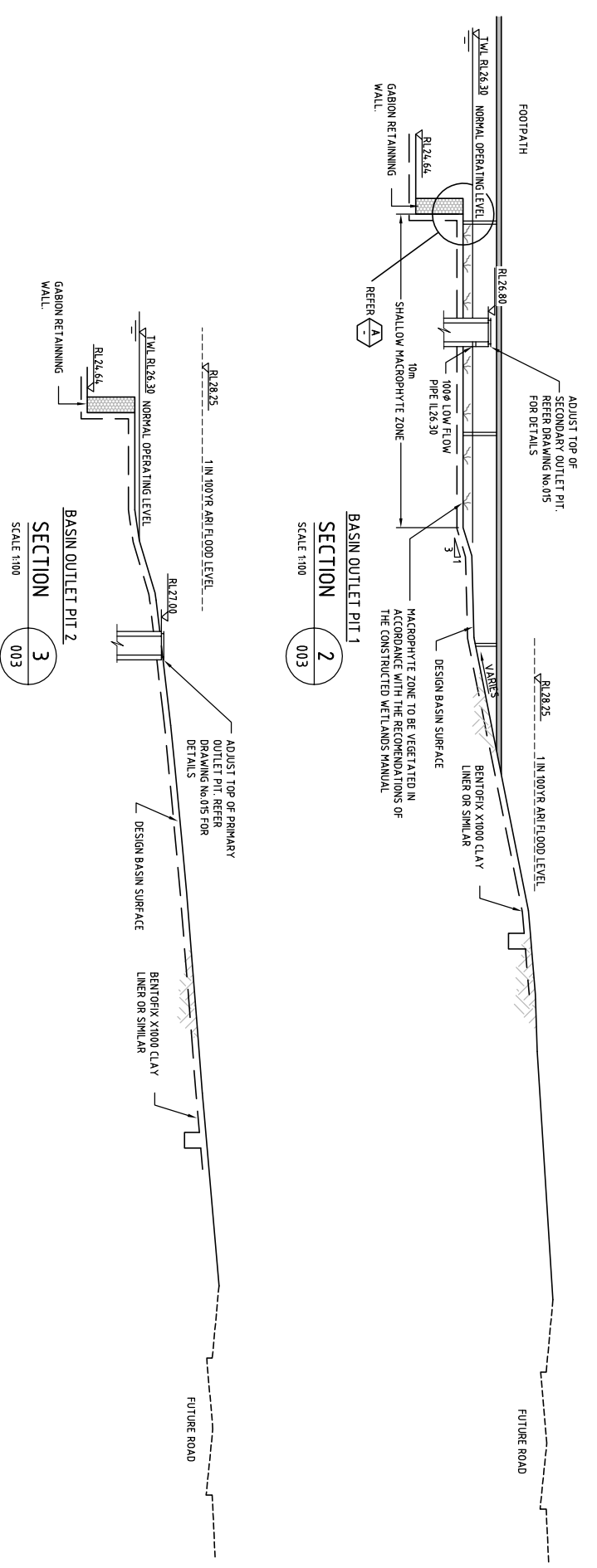
PRIMARY BASIN OUTLET MODIFICATION DETAIL  
 SCALE 1:20



BASIN SURCHARGE  
 SECTION 1  
 SCALE 1:100

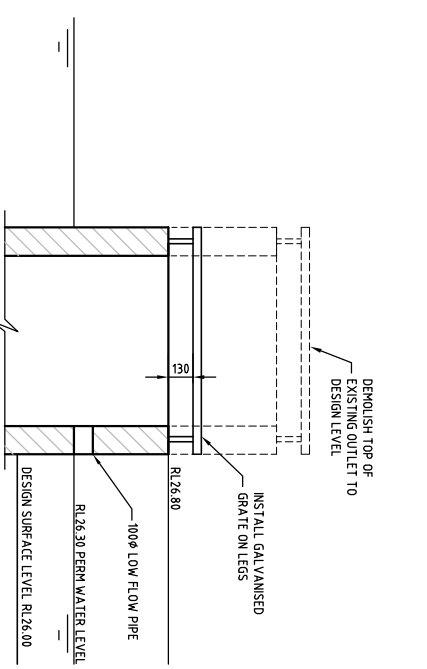


SECTION 1  
 SCALE 1:20

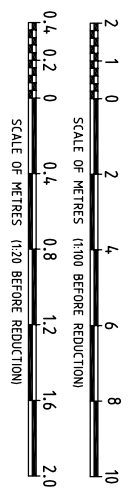


BASIN OUTLET PIT 1  
 SECTION 2  
 SCALE 1:100

BASIN OUTLET PIT 2  
 SECTION 3  
 SCALE 1:100



SECONDARY BASIN OUTLET MODIFICATION DETAIL  
 SCALE 1:20



REV	DATE	ISSUE	BY	CHK
B	16/04/2008	PROJECT APPLICATION ISSUE	DAH	RC
A	04/06/2007	FOR APPROVAL	VP	RC
		REVISIONS		

This document is produced by Cardno (NSW) Pty Ltd. All rights reserved. No part of this document may be reproduced in whole or in part in any manner or form or on any media, in any form or by any means, without the prior written consent of Cardno (NSW) Pty Ltd. The design and construction of any works shown in this drawing are the responsibility of the engineer, architect or other professional responsible for the design and construction of the works. Cardno (NSW) Pty Ltd does not and shall not assume any liability for the design and construction of any works shown in this drawing.

ARCHITECT	DESIGNED	CHECKED
	RC	RC
	VP	

Cardno (NSW) Pty Ltd  
 Level 3, 310 Pacific Highway, Gordon, NSW Australia 2072  
 Phone: (61) 2 939 7700 Fax: (61) 2 939 7992  
 Email: Sydney@cardno.com.au Perth@cardno.com.au

PROJECT DIRECTOR	DATE	PROJECT MANAGER	DATE

PELTON GROUP  
 ROYAL REHABILITATION CENTRE SYDNEY  
 CHARLES STREET, RYDE  
 DETENTION BASIN & ASSOCIATED STORMWATER INFRASTRUCTURE  
 DETENTION BASIN DETAILS & SECTIONS

DRAWING NUMBER: 600110-D-005  
 REV: B