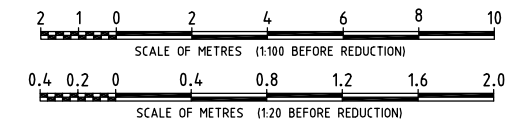
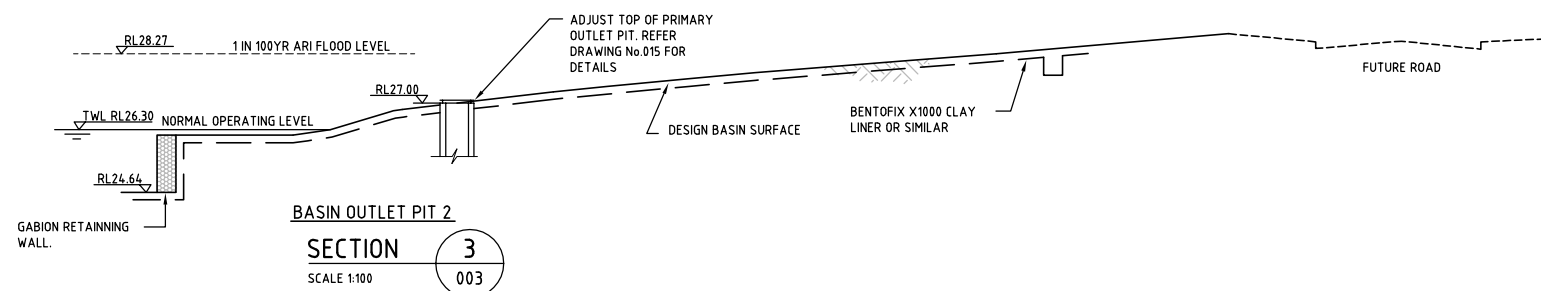
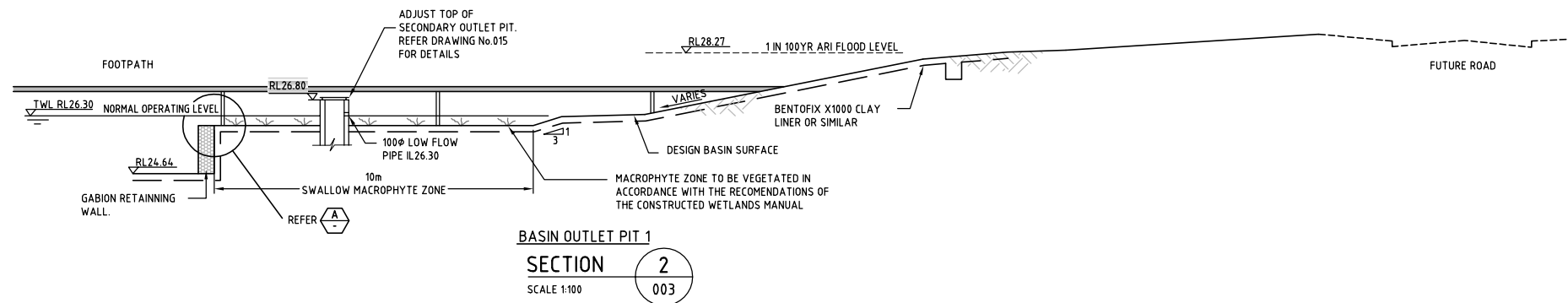
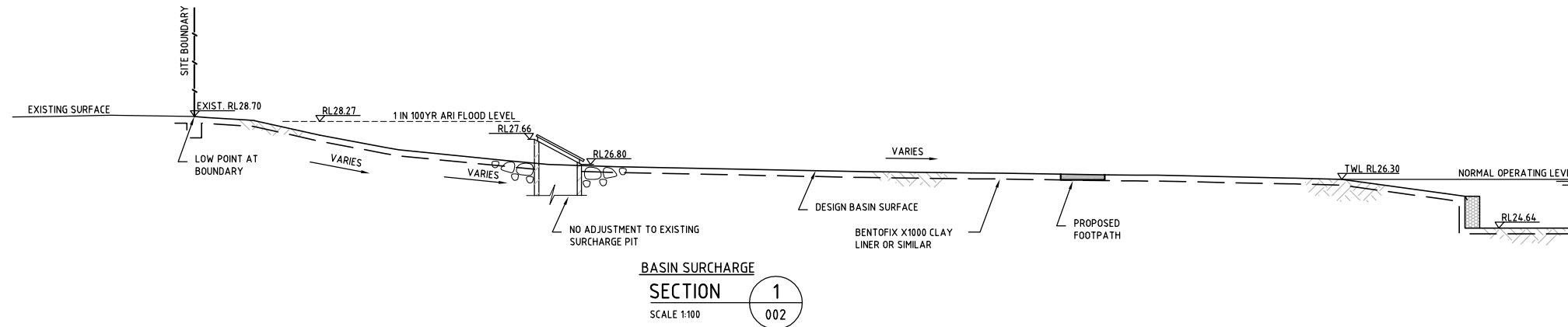


TYPICAL BASIN PROFILE SECTION

SCALE 1:20



DATE PLOTTED: 05 June 2007 - 5:56pm

REF: X-000000  
CAD FILE: N:\Civil\60110 - BRCS SW Design\Drawings\60110-005.dwg

REV	DATE	FOR APPROVAL	VP	RC
A	04/06/2007	FOR APPROVAL	VP	RC

© Cardno (NSW) Pty Ltd All Rights Reserved 2005.  
Copyright in the whole and every part of this drawing belongs to Cardno (NSW) Pty Ltd and may not be used, sold, transferred, copied or reproduced in whole or in part in any manner or form or on any media, to any person other than by agreement with Cardno (NSW) Pty Ltd.

This document is produced by Cardno (NSW) Pty Ltd solely for the benefit of and use by the client in accordance with the terms of the retainer. Cardno (NSW) Pty Ltd does not and shall not assume any responsibility or liability whatsoever to any third party arising out of any use or reliance by third party on the content of this document.

ARCHITECT:	

PREPARED	CHECKED
DESIGNED: RC	RC
DRAWN: VP	
REVIEWED:	

**Cardno**  
Cardno (NSW) Pty Ltd  
ABN: 95 001 145 035  
Level 3, 910 Pacific Highway, Gordon, NSW Australia 2072  
Phone (+61 2) 9496 7700 Fax (+61 2) 9499 3902  
Email: sydney@yd.cardno.com.au Web: www.cardno.com.au

**PELTON GROUP**  
ROYAL REHABILITATION CENTRE SYDNEY  
CHARLES STREET, RYDE  
DETENTION BASIN & ASSOCIATED STORMWATER INFRASTRUCTURE  
DETENTION BASIN DETAILS & SECTIONS

DRAWING STATUS:	FOR APPROVAL
DRAWING NUMBER:	600110-D-005
REV	A