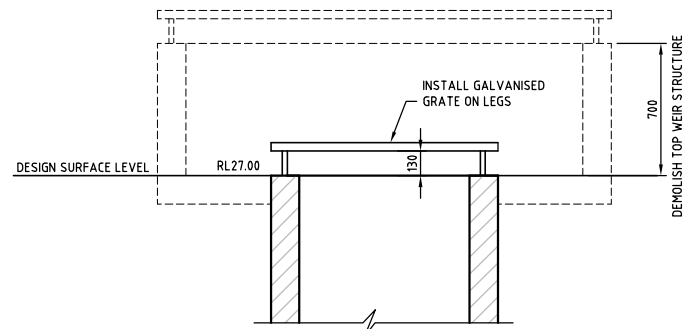
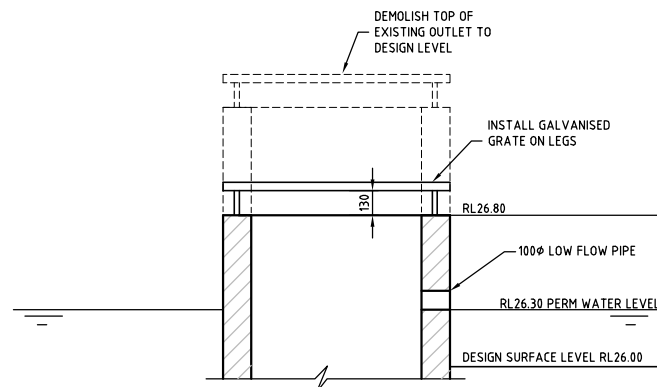


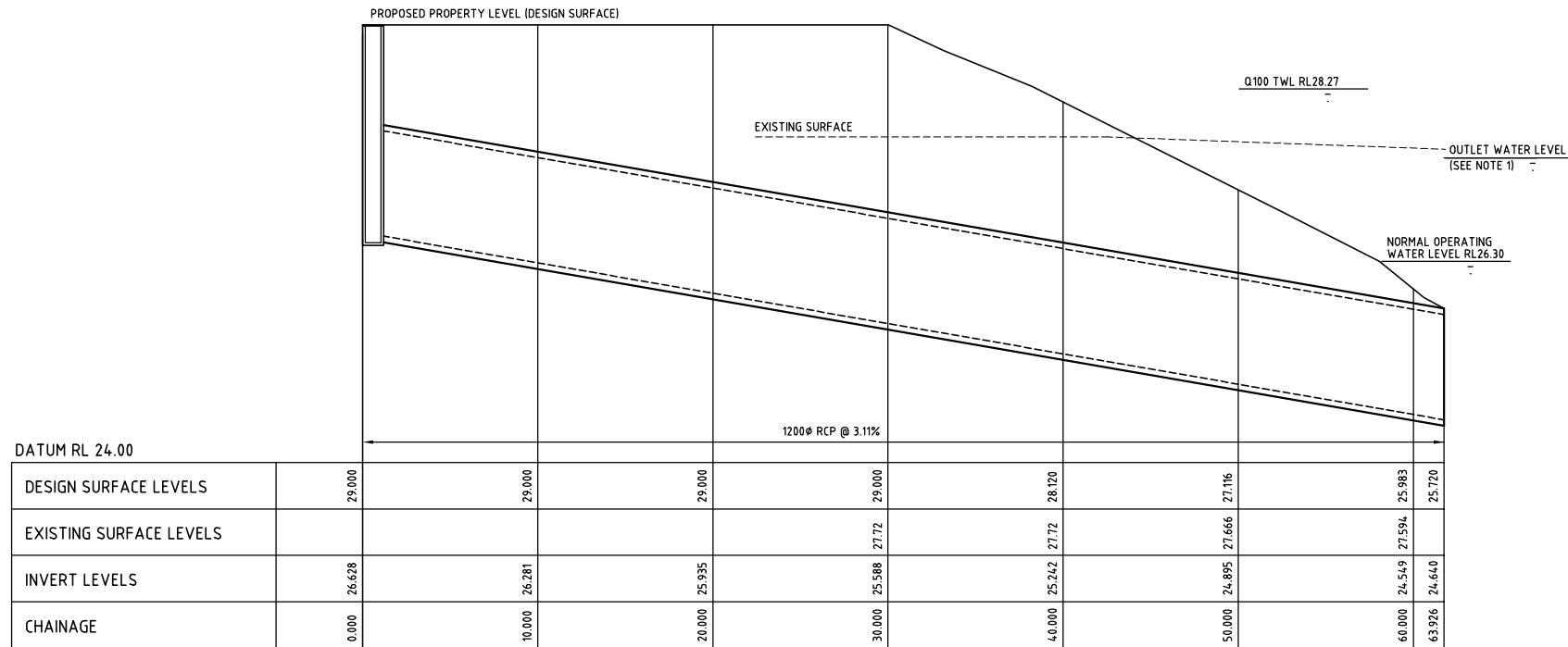
PRIMARY BASIN OUTLET MODIFICATION DETAIL
SCALE 1:20



SECTION 1
SCALE 1:20

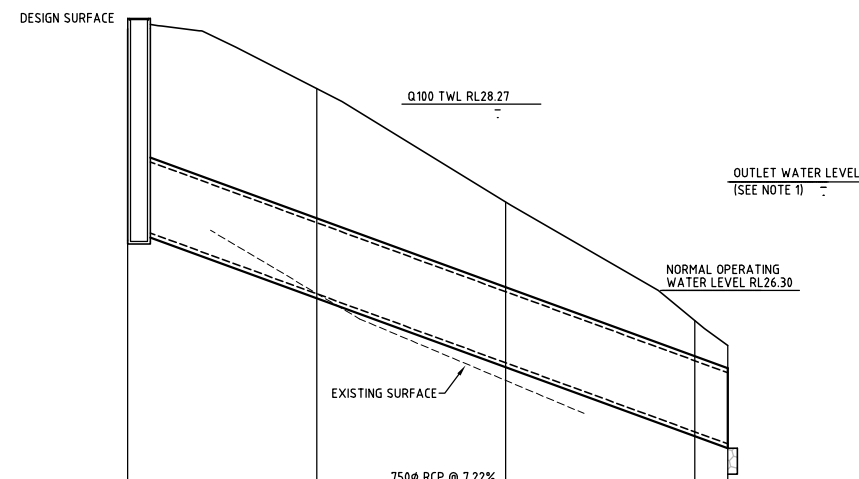


SECONDARY BASIN OUTLET MODIFICATION DETAIL
SCALE 1:20



SWA LONGITUDINAL SECTION

HOR 1:200
VER 1:40

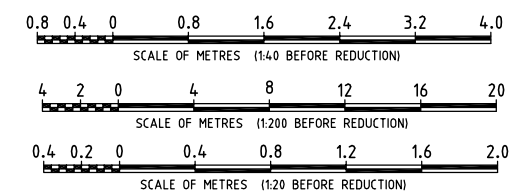


SWB LONGITUDINAL SECTION

HOR 1:200
VER 1:40

PIPE	DIA	SLOPE	UPSTREAM DESIGN PEAK FLOW	INLET INVERT LEVEL	OUTLET INVERT LEVEL	OUTLET WATER LEVEL	PIPE FLOWS	OVERLAND FLOW
	mm		%	m ³ /s	m	m	m	m ³ /s
SWA	1200	3.11	Q ₂₀ =3.36 Q ₁₀₀ =3.8	26.63	24.64	27.48	Q ₂₀ =3.36 Q ₁₀₀ =3.74	0.06
SWB	750	7.22	Q ₂₀ =1.25 Q ₁₀₀ =1.65	27.28	24.64	27.45	Q ₂₀ =1.25 Q ₁₀₀ =1.57	0.08

NOTES:
1. OUTLET WATER LEVEL REFERS TO WATER LEVEL WITHIN THE BASIN DURING A 100YR EVENT WHEN ?? OVERLAND FLOW WILL DISCHARGE INTO THE BASIN. FOR FURTHER DETAILS REFER REPORT BY CARDNO WILLING.



DATE PLOTTED: 05 June 2007 - 5:58pm

REF: X-000000 CAD FILE: N:\Civil\6000 - 6000 SW Design\Drawings\600110-D-015.dwg

REV	DATE	FOR APPROVAL	REVISIONS	DRN	CHK
A	04/06/2007	FOR APPROVAL		VP	RC

ARCHITECT:	PREPARED: PL	CHECKED: RC
	DRAWN: VP	
	REVIEWED:	
APPROVED:	PROJECT DIRECTOR	DATE
	PROJECT MANAGER	DATE

Cardno (NSW) Pty Ltd
 ABN: 95 001 145 035
 Level 3, 910 Pacific Highway, Gordon, NSW Australia 2072
 Phone: (+61 2) 9496 7700 Fax: (+61 2) 9499 3902
 Email: sydney@ytd.cardno.com.au Web: www.cardno.com.au

PELTON GROUP
 ROYAL REHABILITATION CENTRE SYDNEY
 CHARLES STREET, RYDE
 DETENTION BASIN & ASSOCIATED STORMWATER INFRASTRUCTURE
 PIT MODIFICATION DETAILS & LONGITUDINAL SECTIONS

DRAWING STATUS: FOR APPROVAL	
DRAWING NUMBER: 600110-D-015	REV A